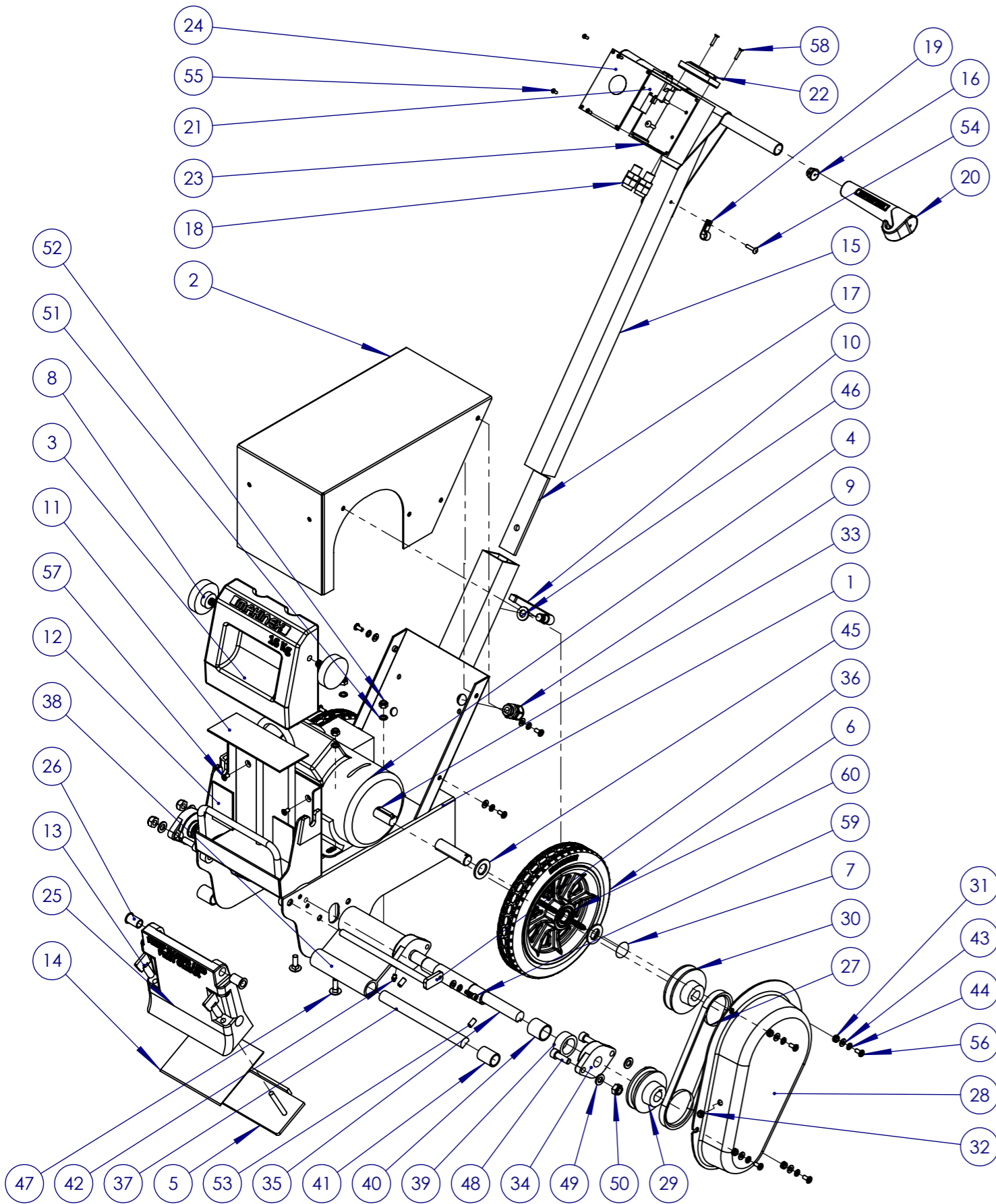


PRINT MAY BE REDUCED - DO NOT SCALE.



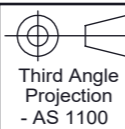
ITEM NO.	PART NO.	PART NAME	QTY	ITEM NO.	PART NO.	PART NAME	QTY
1	FS-014	MAIN CHASSIS AND FRAME WELDMENT	1	31	FS-023-01	BELT GUARD GROMMET 1 (5MM)	4
2	FS-042	MAIN COVER WELDMENT	1	32	FS-023-02	BELT GUARD GROMMET 2 (10MM)	1
3	FS-022	WEIGHT CASTING	1	33	FS-031	SHAFT KEY STEEL	1
4	FS-026	240V TECO ELECTRIC MOTOR	1	34	FS-032	CAMSHAFT OUTER SUPPORT BEARING	2
	FS-026-01	110V TECO ELECTRIC MOTOR		35	FS-011	CAM SHAFT	1
5	FS-019	BOTTOM BLADE PLATE WELDMENT	1	36	FS-012	FRONT PLATE TOP SHAFT	1
6	MAK-UP-00	MAKINEX WHEEL 250MM	2	37	FS-013	FRONT PLATE BOTTOM SHAFT	1
7	MAK-UP-04	AXLE CAP	2	38	FS-020	TRANSMITTER	1
8	FS-049	WEIGHT HANDLES	2	39	FS-033	NEEDLE ROLLER BEARINGS	2
9	MAK-UP-44	20MM CABLE GLAND	1	40	FS-030	NEEDLE ROLLER RING	2
10	FS-050	UNISTRUT HANDLE	1	41	FS-103	BOTTOM SHAFT BUSH	2
11	FS-070-01	FELT 1	1	42	MAK-UP-53	GREASE NIPPLES	2
12	FS-070-02	FELT 2	2	43	MAK-UP-551	M6 FLAT WASHER (SMALL)	9
13	FS-037	STIFLEVER	2	44	MAK-UP-506	M6 SPRING WASHERS	9
14	VS-B	VINYL STRIPPER BLADE	1	45	MAK-UP-510	M20 NYLON WASHERS	4
15	FS-053W	HANDLE WELDMENT	1	46	MAK-UP-537	M12 FLAT WASHER ZP	1
16	MAK-UP-175	HANDLE END PLUG	2	47	MAK-UP-620	M8x20 COACH BOLTS ZP	4
17	FS-051	UNISTRUT PLATE	1	48	MAK-UP-616	M10x30 SOCKET CAP SCREW ZP	4
18	MAK-UP-179	16MM CABLE GLAND	2	49	MAK-UP-554	M10 FLAT WASHER (SMALL)	4
19	MAK-UP-180	5MM P-CLIP	2	50	MAK-UP-543	M10 NYLOC NUT	4
20	MAK-UP-10	RUBBER HANDLE GRIPS WITH CABLE HOLDER	2	51	MAK-UP-612	M8 WASHER	4
21	FS-036-01	SWITCH	1	52	MAK-UP-511	M8 NYLOC NUT	4
22	FS-036-02	SWITCH SPLASH COVER	1	53	MAK-UP-614	M8x16 GRUB SCREW ZP	2
23	FS-036-03	SWITCH CASE	1	54	MAK-UP-617	4.8mm x 12 RIVET	4
24	FS-036-04	SWITCH CASE LID	1	55	MAK-UP-539	M4X12 CSK PH BOLT ZP	4
25	FS-021	FRONT PLATE CASTING	1	56	MAK-UP-619	M6x16 PAN HEAD BOLTS ZP	8
26	FS-101	FRONT PLATE BUSH	2	57	MAK-UP-615	M6x10 PHILLIPS CSK SCREW ZP	2
27	FS-029	BELT	1	58	MAK-UP-618	M4X20 CSK PH BOLT ZP	2
28	FS-023	BELT GUARD	1	59	MAK-UP-623	M6X20 CAP SCREW ZP	1
29	FS-027	SPA 75X1 TL PULLEY	1	60	MAK-UP-01	WHEEL BEARING 250MM	4
30	FS-028	SPA 80X1 TL PULLEY	1				



Sydney (Head Office) Ph: 1300 795 953
 15 Waltham St Fax: (02) 9439 9815
 Artarmon, 2064 www.makinex.com.au
 NSW, Australia sales@makinex.com.au

COPYRIGHT 2015 MAKINEX.
 WARNING: Copyright in this drawing remains the property of MAKINEX and copying in whole or part is not permitted without the written authority of the copyright owner.

GENERAL TOLERANCES
 (Unless otherwise noted)
 0-100mm: ± 0.25 mm
 100mm - 500mm: ± 0.5 mm
 500mm +: ± 1.0 mm
 Angular: ± 1 deg.



DATE: 2/24/2020

SCALE: D.N.S A3

All Dimensions are in Millimetres
 Break All Sharp Corners and
 Remove Burrs & Swarf



PROJECT:

DWG NO.

VS-125/VS-125-US

NOTES:

TITLE

VINYL STRIPPER

MATERIAL

SEE PART

FINISH

SEE PART

DRN: JT

MASS

G

REV

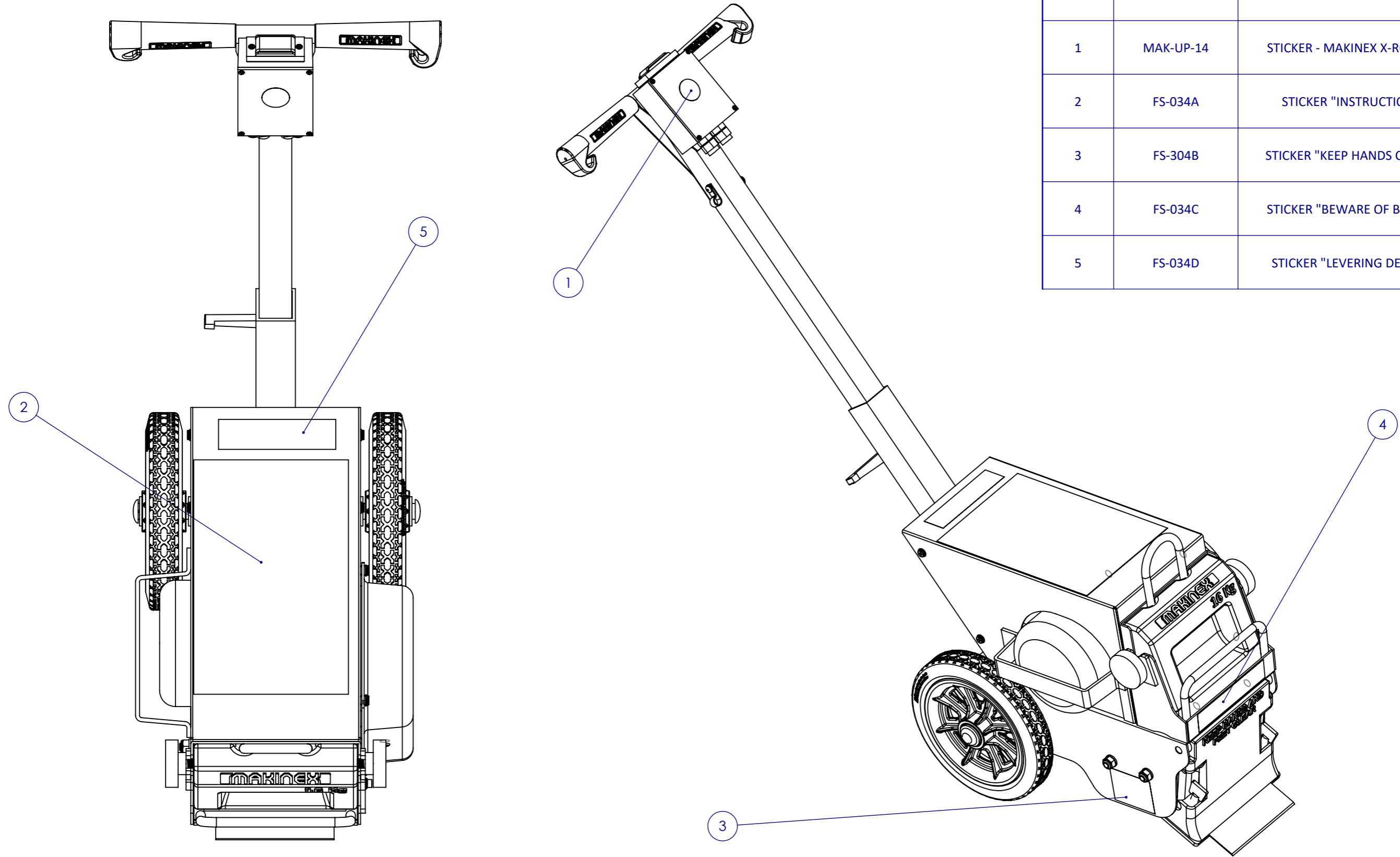
004

SHEET 1 OF 2

PRINTED: 2/24/2020

PRINT MAY BE REDUCED - DO NOT SCALE.

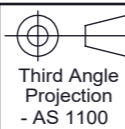
ITEM NO	PART NO.	PART NAME	QTY
1	MAK-UP-14	STICKER - MAKINEX X-ROUND	1
2	FS-034A	STICKER "INSTRUCTION"	1
3	FS-304B	STICKER "KEEP HANDS CLEAR"	1
4	FS-034C	STICKER "BEWARE OF BLADE"	1
5	FS-034D	STICKER "LEVERING DEVICE:"	1



Sydney (Head Office) Ph: 1300 795 953
 15 Waltham St Fax: (02) 9439 9815
 Artarmon, 2064 www.makinex.com.au
 NSW, Australia sales@makinex.com.au

COPYRIGHT 2013 MAKINEX.
 WARNING: Copyright in this drawing remains the property of MAKINEX and copying in whole or part is not permitted without the written authority of the copyright owner.

GENERAL TOLERANCES
 (Unless otherwise noted)
 0-100mm: ± 0.25 mm
 100mm - 500mm: ± 0.5 mm
 500mm +: ± 1.0 mm
 Angular: ± 1 deg.



DATE: 2/24/2020

SCALE: D.N.S A3

All Dimensions are in Millimetres
 Break All Sharp Corners and
 Remove Burrs & Swarf

25
 Denotes Critical Dimension

PROJECT:

DWG NO.

VS-125

NOTES:

TITLE

VINYL STRIPPER

MATERIAL

SEE PART

FINISH

SEE PART

DRN: JT

MASS

G

REV

003

SHEET 2 OF 2

PRINTED: 2/24/2020